

## Contact Closure

## CT/CR-7008

### For Contact Closure or Status Monitoring Applications

The **Litelink™** CT/CR-7008 system consists of the CT-7008 transmitter and CR-7008 receiver. Both units utilize digital encoding techniques to transmit and receive eight separate contact closures over a single optical fiber conductor.

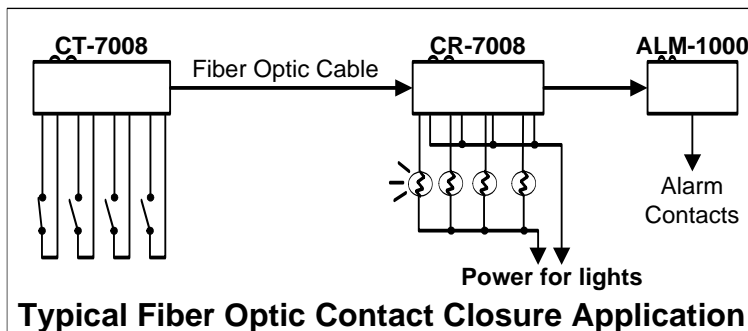
The CT-7008 may be activated by dry contacts or TTL signals and the CR-7008 will reproduce these inputs as isolated output contact closures corresponding to the respective input signal. All inputs are transient protected against excessive surges present on the signal and power leads. The unit is completely fail-safe in that a loss of operating power or a broken fiber will force all contacts to the open condition. Integral indicators are provided on both units to continuously indicate the link and contact closures status as well as proper operating power thereby making system troubleshooting simple.



### Technical Specifications

Number of Channels	Eight
Transmitter Input	Dry Contact Closure or TTL
Tx Input Impedance	3 K Ohms maximum
Receiver Output	Relay Contact Closure
Output Contact switching A	0.5 A @ 125 VAC (62.5VA) 1.0 A @ 24 VDC
Output Contact carry current	2.0 Amps maximum
Output Contact Resistance	100 milliohms maximum
Speed of Response	10 ms maximum
Operating Wavelength	850, 1310 or 1550nm
Optical Output Power	-15dBm (multimode) -15dBm (single-mode)
Optical Loss Budget	0-10dB (multimode) 0-12dB (single-mode)
Optical Connectors	ST (multimode) FCPC (single-mode)
Signal Connector	Removable Terminal Block
Operating Temperature	-35° to +75°C
Power Requirements CT	11-24 VAC/DC @110 mA
Power Requirements CR	11-24 VAC/DC @210 mA
Physical Size (mm)	5.0"(127)H x 1.0"(25.4)W x 3.0"(76)L

Note that all specifications are subject to change without prior notice.



### Important Feature

- **Eight Independent Contacts on One Fiber**
- **Signal, Power, & Link Indicators**
- **Multimode or Single-mode versions**
- **Stand-alone or Rack Mountable**

### Ordering Information

Transmitter	CT-7008-X
Receiver	CR-7008-X

"X" = Wavelength/Fiber  
-1 = 850nm Multimode  
-3 = 1310nm Multimode  
-7 = 1310nm Single-mode  
-9 = 1550nm Single-mode

For stand-alone operation order a PS-1205 power supply for each unit.

For rack mounted operation all operating power is provided by power supply used with the rack-mounting panel.