

## IRIG Time Code Distribution

## IRGM-1504 / IRGP-1501

### For High Quality IRIG Signal Distribution

The **LuxLink™** IRGM-1504 consists of an optical transmitter that converts an electrical IRIG A through E input signal into four individual optical output signals for distribution over separate fiber optic cables to IRGR-1501 receivers. Multiple IRGM-1504 units may be “daisy-chained” when more than 4 output channels are required. The IRGP-1501 is an optical repeater that is used to implement a drop-and-repeat linear IRIG A through E distribution networks.

Both units are compatible with IRGT-1501 and IRGR-1501 transmitters and receivers. Integral indicators are also provided on both units to continuously indicate the presence of IRIG signals as well as the presence of operating power making system troubleshooting simple.

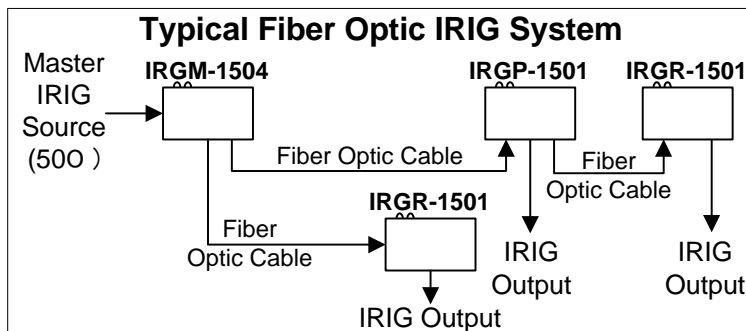


### Technical Specifications

Signal Bandwidth	100 Hz to 0.5 MHz (+0,-3dB)
Input / Output Impedance	50 ohms
Input / Output Level	3 volts pp maximum, 5 mA
Signal/Noise Ratio*	60 dB minimum (ref 1Vpp)
Linearity	2% typical
Operating Wavelength	850, 1310 or 1550nm
Optical Output Power (typ)	-16dBm (multimode) -16dBm (single-mode)
Optical Loss Budget	0-12dB (multimode) 0-12dB (single-mode)
Optical Connectors	ST (multimode) FCPC (single-mode)
Signal Connector	BNC
MTBF (MIL-HDBK-217D)	100,000 Hours
Operating Temperature	-35° to +75°C
Power Requirements	11-24 VAC/DC @350 mA
Physical Size (mm)	5.0" (127) x 3.0" (76) x 1.0" (25.4)

\*Measured with 1Km of 62.5u multimode fiber.

Note that all specifications are subject to change without prior notice.



### Important Features

- **Cost-effective**
- **12 dB Loss Budget**
- **Signal & Power Indicators**
- **Stand-alone or Rack Mountable (same unit)**

### Ordering Information

Four Channel Optical Transmitter, IRGM-1504-X

Repeater, IRGP-1501-X

“X” = Wavelength/Fiber  
-1 = 850nm Multimode, ST  
-3 = 1310nm Multimode, ST  
-7 = 1310nm Single mode, FC

For stand-alone operation order a PS-1205 power supply for each unit.

For rack mounted operation all operating power is provided by the power supply used with the rack panel.