

WARRANTY

All fiber optic transmission systems, products and accessories manufactured by Liteway, Inc. and its subsidiaries are fully tested prior to shipment and are warranted against defective materials and workmanship for a period of two full years from the date of the original shipment. Should a problem occur, a Return Material Authorization Number (RMA) must be obtained from Liteway Inc. at (516) 931-2800 and the item returned to Liteway, Inc. 166 Haverford Road, Hicksville, NY 11801, USA, prepaid. Liteway Inc. will then, at its option repair or replace the defective item.

Liteway, Inc. maximum liability under this warranty is limited to the cost of the defective item only. No contingent liabilities of any kind are either assumed or implied.

Any items returned to Liteway, Inc. that have been misused, abused, damaged, modified, connected or adjusted in any way contrary to the instructions furnished by Liteway, Inc. or repaired by unauthorized personnel will not be covered by this warranty. Any non-warranty repairs required will be quoted at the current rate for such services.



Important Notices



CAUTION! AVOID DIRECT EXPOSURE TO BEAM.

All -7,-8, and -9 Models use laser diodes. These solid-state laser diodes are located in the optical ports of these units. Laser diodes produce invisible radiation that may be harmful to human eyes. Never look directly into the optical port of any fiber optic unit designed to operate with single-mode optical fiber.

NOT FOR LIFE SUPPORT SYSTEMS

Liteway, Inc. does not authorize or warrant any of its products or accessories for use in critical life support systems or applications of any kind.

OPERATING INSTRUCTIONS

IRIG Signal

Distribution Amplifier

IRGM-2504



The IRGM-2504 is a distribution amplifier that accepts an electrical IRIG A through E input signal and produces four individual electrical output signals for distribution over four separate coaxial cables to other IRIG receivers.

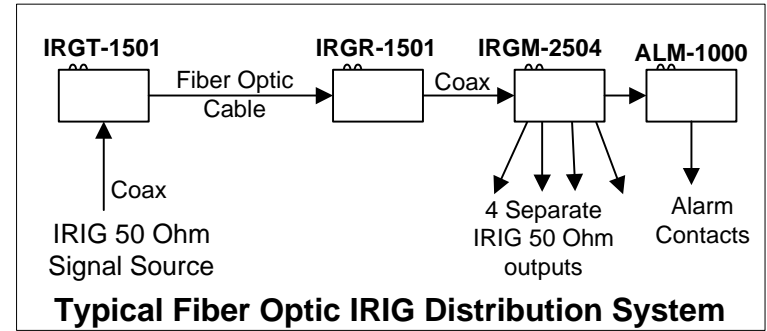
Technical Specifications

Signal Bandwidth	5 Hz - 500 KHz
In/Out Impedance	50 ohms
In/Out Signal Level	3 volt peak to peak (60 mA maximum)
Protocols	IRIG A,B,D,E,H; NASA36, IEEE-1344
Output Drive Current	5 mA per channel
Signal/Noise Ratio	60 dB/min
Linearity & THD	3% max
Signal Connectors	BNC
Number of Outputs	4 channels
Propagation Delay	5 ns
Output Channel Isolation	>40 dB
Offset between outputs	< 0.5 ns
MTBF	100,000 Hours (MIL-HDBK-217D)
Temperature Range	-35° to +75°C
Power Requirements	11-24 VAC/DC @350 mA
Physical Size (mm)	5.0"(127)L x 1.0" (25.4)W x 3.0"(76)D

All specifications are subject to change without prior notice.

Installation Instructions

The diagram below shows the typical installation IRIG system that uses the IRGM-2504 for IRIG distribution.



The IRGM-2504 provides four electrical outputs. Multiple IRGM-2504 units may be “daisy-chained” when more than 4 output channels are required.

Removable Terminal Block Power Connections

Pin	Function
1	Alarm output for use with optional Alarm Sensing Unit ALM-1000. No other connections should be made to this terminal
2	+11 to 24 DC or AC Volts input
3	AC or DC return (Common to Housing)

Be certain to check all connections, settings and voltages before applying power

Indicator Lights

Indicator	Lights when
Pwr	Proper power is present.
Alrm	The loss of signal alarm is activated and there is no IRIG signal present to transmit.
Sig	A data signal is being received.

The **Alarm** switch is used to turn the alarm function on and off.