

Power Supplies

PS-1210 DC

For Powering all Liteway® Transmission Systems

The **LuxLink® PS-1210 DC** is a compact switching stand-alone or rack mountable power supply that can be used to power multiple **Liteway®** fiber optic transmission systems from a 95 to 300 volt DC positive, negative ground or “floating” source.

The PS-1210 DC has power, alarm and overload indicators as well as an internal circuitry that will protect the unit in the event of an overload. Should such an overload occur, the power supply output will immediately drop to 0 and then automatically reset itself when the overload is removed. The PS-1210 DC also has the ability to be paralleled for redundant operation when required.

Note: That the PS-1210 DC will not operate with an AC input!



Technical Specifications

DC Input Voltage	95 VDC to 300 VDC
DC Output Voltage	12 volts \pm 1.0% (typ)
DC Output Current	1 ampere (maximum)
Efficiency	77% typical
Switching Frequency	100 KHz
Input/Output Isolation	2250 VDC, 1 Megohm
Ripple and Noise	150 mV max (5 Hz/20 MHz)
Overload Protection	Voltage drops to 0 on short
MTBF (MIL-HDBK-217D)	100,000 Hours
Power Connectors	Removable terminal block
Ground/housing connector	6-32 threaded stud
Operating Temperature	-20° to +75°C
Humidity	0 to 95% non-condensing
Physical Size (mm)	5.0"(127)x1.0"(25.4) x4.0"(101.6)

Note: That input and output terminal are floating with respect to housing. As a result either can be grounded as desired.

All specifications are subject to change without prior notice.

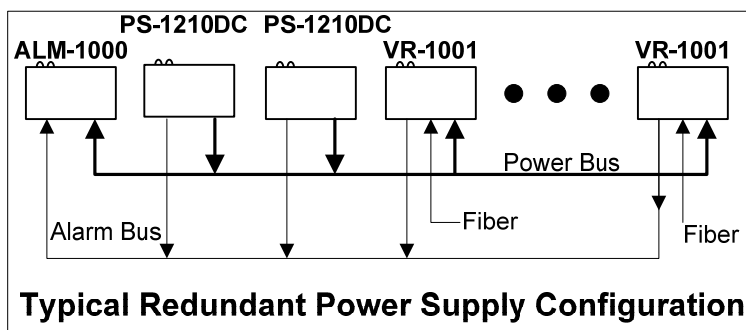
Important Features

- **Redundant Operation**
- **Positive or Negative 95 to 300 volt DC operation**
- **Power & Overload Indicators**
- **Self Resetting Overload Circuitry**
- **Stand-alone, DIN or Rack Mountable (same unit)**

Ordering Information

PS-1210 DC

Note that the PS-1210 DC is ROHS compliant to EU 202/95/EC and is CE certified. The PS-1210 DC also meets the voltage requirements for ETSI 300-132-2 and complies with EN 60950



Typical Redundant Power Supply Configuration

LuxLink®

Fiber Optic Transmission Systems

www.LuxLink.com
USA 516-931-2800